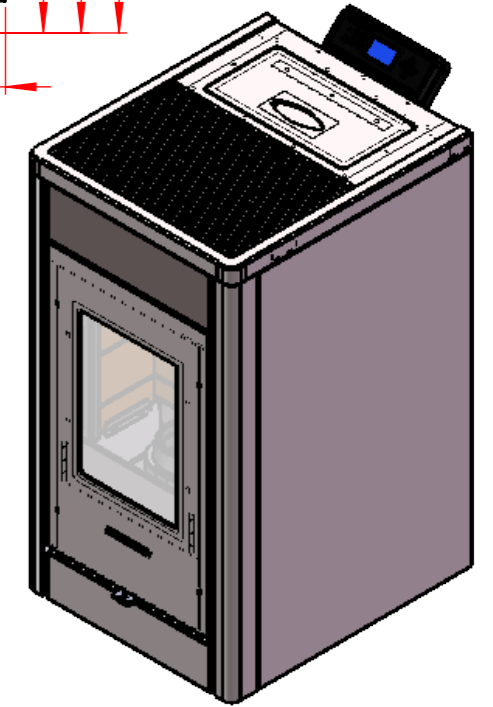
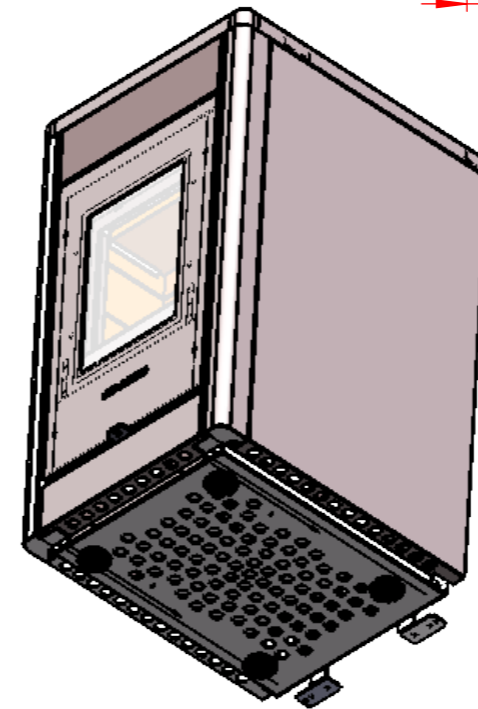
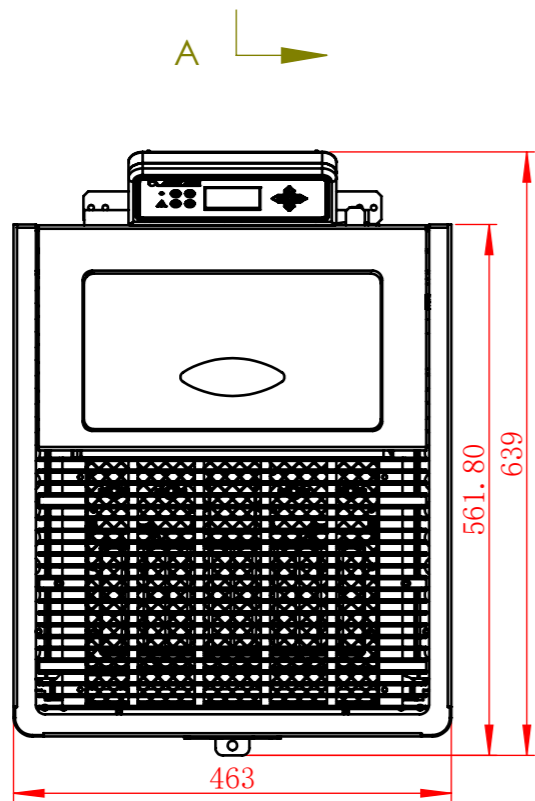
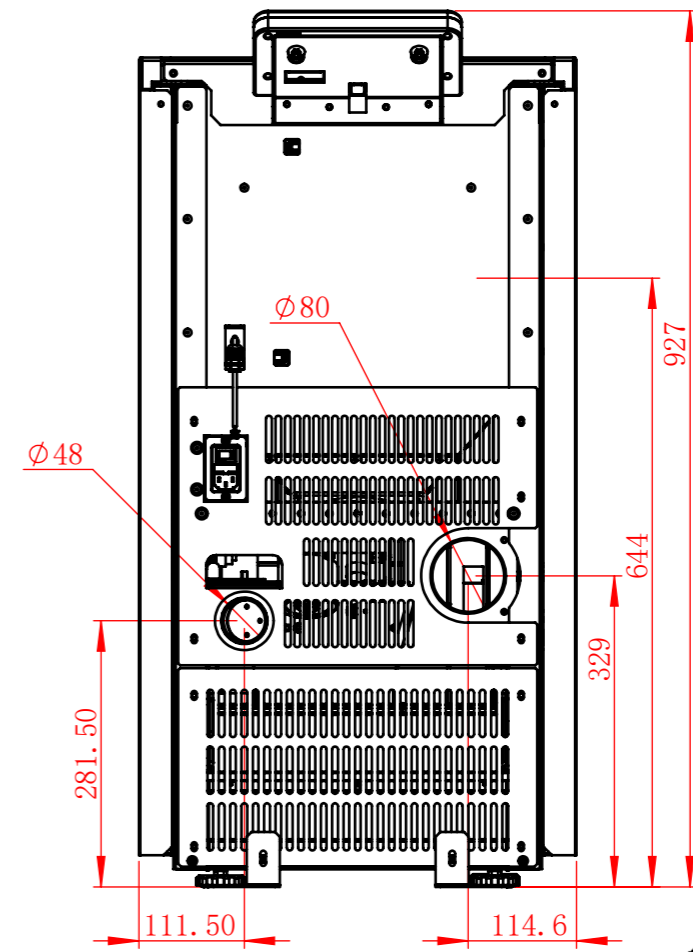
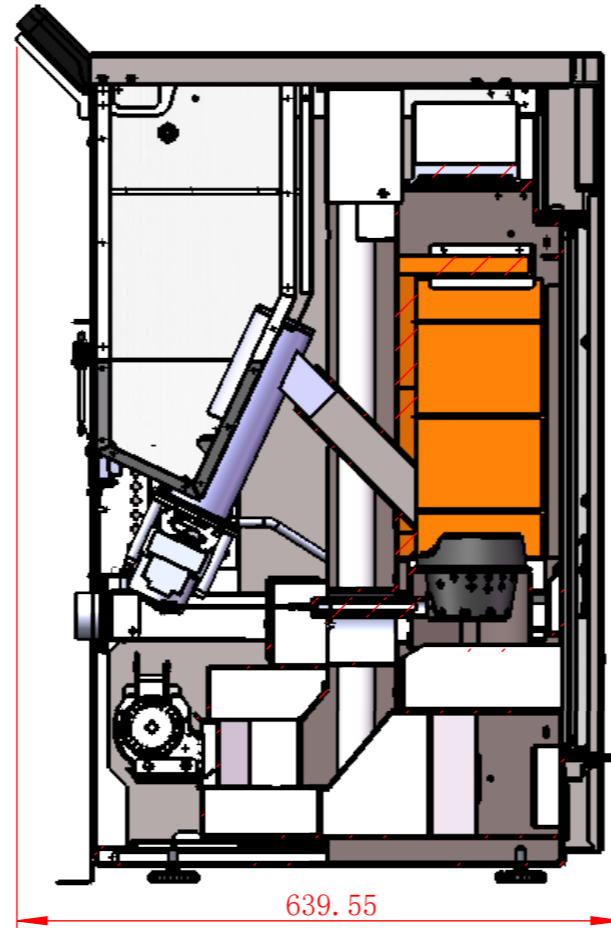
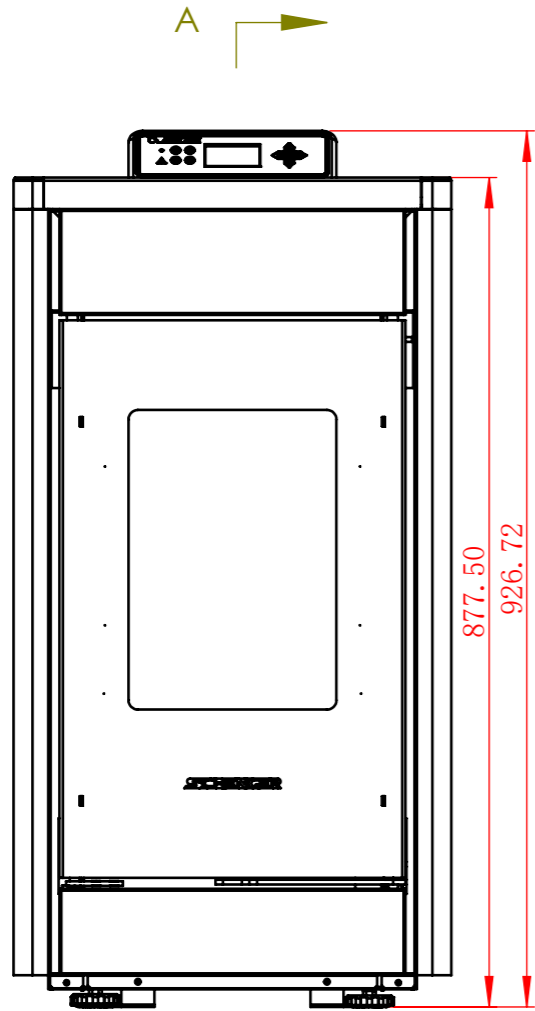
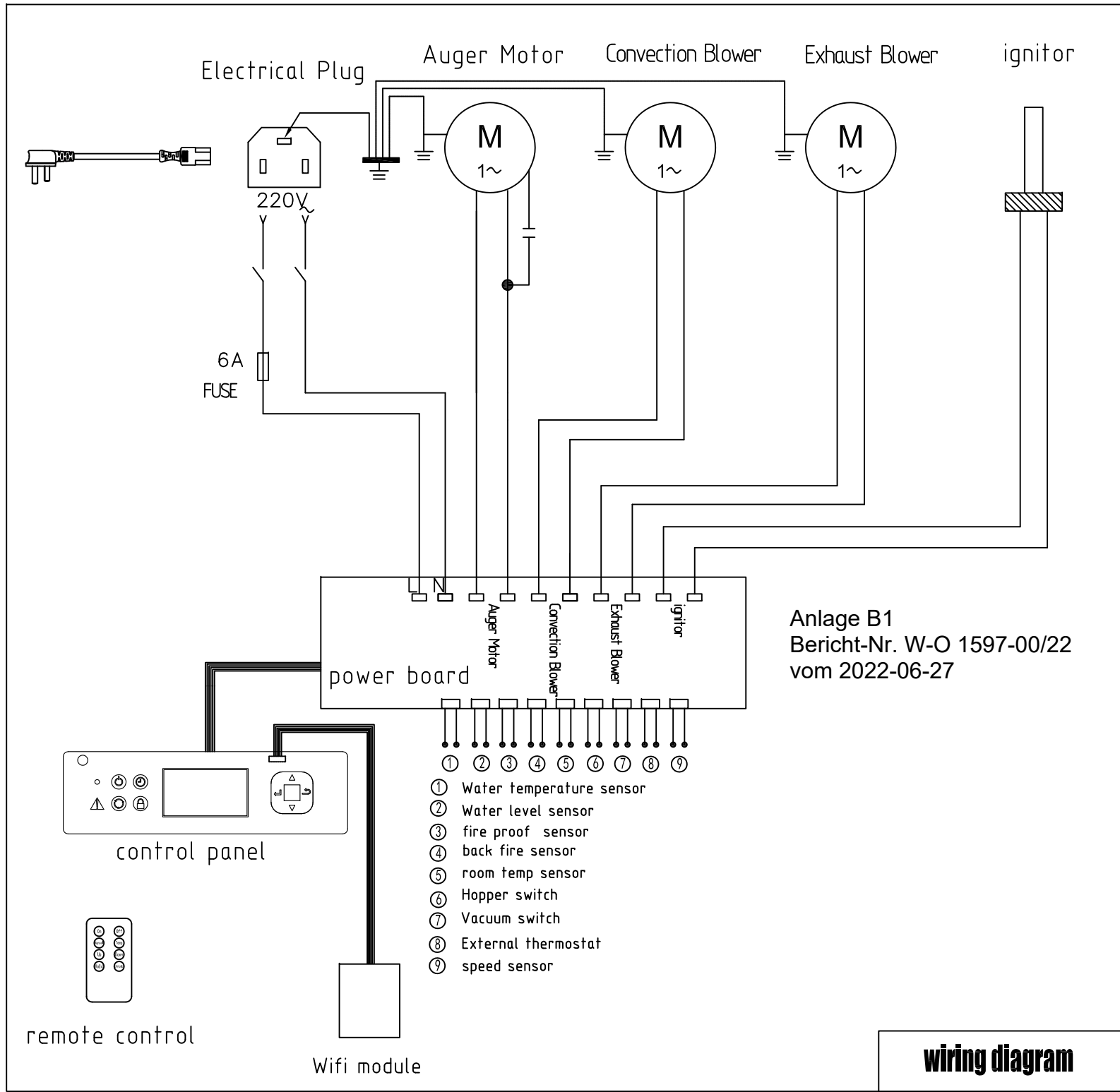


A-A  
 1:8



				TITLE:		
				HP07 3D		
				QUANTITY	WEIGHT	SCALE
				共 页	第 页	
DRAWN	DATE	2022/4/2				
CHK' D	DATE	2022/4/2				
APPV' D	DATE					
				SMG		



- ① Water temperature sensor
- ② Water level sensor
- ③ fire proof sensor
- ④ back fire sensor
- ⑤ room temp sensor
- ⑥ Hopper switch
- ⑦ Vacuum switch
- ⑧ External thermostat
- ⑨ speed sensor

**wiring diagram**